



## COMPANY PROFILE

Company name : FIZZA SURGICAL INTERNATIONAL

Company address : NARGATE STREET, JINNAH PARK , COLONY #2,,  
Sialkot – 51310 Pakistan

PHONE : +92-52-460 4164

FAX : +92-52-458 0014

E-MAIL : info@fizzasurgical.com

Web site : www.fizzasurgical.com

LEGAL STATUS OF COMPANY : Partnership

PERSON TO CONTACT : NAJAF ALI  
DESIGNATION : Partner  
info@fizzasurgical.com

PERSON TO CONTACT : NAJAM ALI  
DESIGNATION : Partner  
Najam.Ali@fizzasurgical.com

PERSON TO CONTACT : ALI HASSAN  
DESIGNATION : Partner  
Ali.Hassan@fizzasurgical.com

Products manufacture: GYNECOLOGY INSTRUMENTS, ALL TYPE OF SCISSORS,  
RFORCEPS AND ETRACTORS etc.

O.E.M. We can produce any type of vaginal speculums, retractors, dilators  
Forceps, Scissors etc.  
Also on O.E.M. basis if the drawings or Master samples are  
provided To us by the customer.

Areas of Exports : Germany, France, Japan, U.K. etc.

CERTIFICATION : ISO 9001 : 2008  
ISO 13485 : 2003  
CE CERTIFICATION BY MHRA – UK  
EC DECLARATION OF CONFORMITY

QUALITY POLICY : CUSTOMER'S SATISFACTION

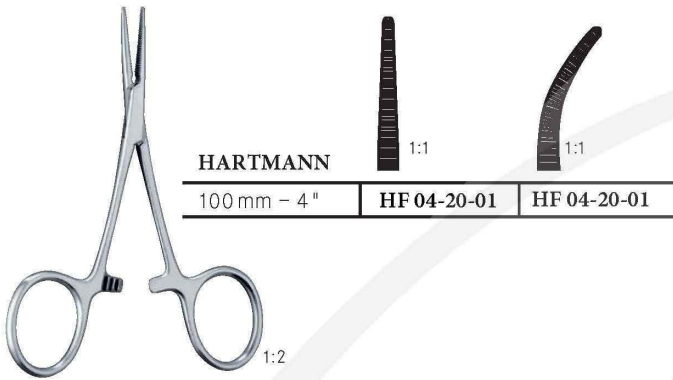
MISSION STATEMENT : TO BECOME TOP MOST MEDICAL COMPANY IN PAKISTAN





Brief History of the company: Fizza Surgical International has made revolutionary changes in its manufacturing procedures from hand-made to modern machinery during the last 3 decades. Highly skilled workers are Proficiently working on these machinery multiplying production figures on one hand and having improved the quality of products to entire satisfaction of the customers.

Materials used in production : The materials used in production of these medical instruments conform to internationally recognized standards; viz. Grade AISI-410, Grade AISI-420 and Grade AISI-304. We use Japanese, German and French stainless steels.

**ARTERIENKLEMMEN – HAEMOSTATIC FORCEPS**

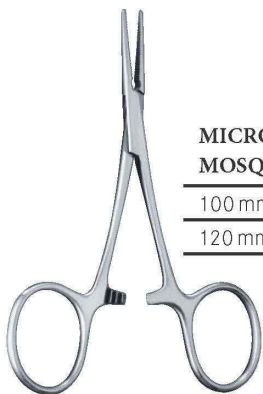
Arterienklemmen  
Pincas hémostatiques  
Pinzas hemostáticas  
Pinze emostatiche



<b>HALSTED - MOSQUITO</b>				
	125 mm – 5"	<b>HF 04-25-01</b>	<b>HF 04-26-01</b>	<b>HF 04-27-01</b>
140 mm – 5 1/2"	<b>HF 04-25-02</b>	<b>HF 04-26-02</b>	<b>HF 04-27-02</b>	<b>HF 04-28-02</b>
			1x2	1x2
125 mm – 5"	<b>HF 04-25-03</b>	<b>HF 04-26-03</b>	<b>HF 04-27-03</b>	<b>HF 04-28-03</b>
Titanium			1x2	1x2

**ARTERIENKLEMMEN – HAEMOSTATIC FORCEPS**

Arterienklemmen  
 Pinces hémostatiques  
 Pinzas hemostáticas  
 Pinze emostatiche



**MICRO-  
MOSQUITO**

100 mm – 4"	HF 04-30-01	HF 04-31-01	HF 04-32-01	HF 04-33-01
120 mm – 4 3/4"	HF 04-30-02	HF 04-31-02	HF 04-32-02	HF 04-33-02

1x2

1x2



**PROVIDENCE-  
HOSPITAL**

140 mm – 5 1/2"	HF 04-35-01	HF 04-36-01
-----------------	-------------	-------------

1:2



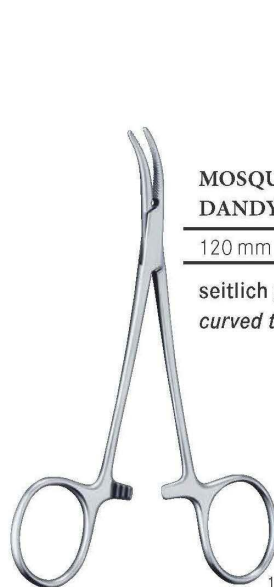
**DANDY**

140 mm – 5 1/2"	HF 04-40-01	HF 04-41-01
-----------------	-------------	-------------

seitlich gebogen  
*curved to the side*

1x2

1:2



**MOSQUITO-  
DANDY**

120 mm – 4 3/4"	HF 04-45-01
-----------------	-------------

seitlich gebogen  
*curved to the side*

1:2



**ARTERIENKLEMMEN – HAEMOSTATIC FORCEPS**

Arterienklemmen  
Pincas hémostatiques  
Pinzas hemostáticas  
Pinze emostatiche



**CHRISTOPHE**

130 mm – 4 "	HF 04-50-01
150 mm – 6 "	HF 04-50-02



**LOVELACE**

155 mm – 6 "	HF 04-55-01	HF 04-56-02
--------------	-------------	-------------



1x2

1:2



**LERICHE**

150 mm – 6 "	HF 04-60-01	HF 04-61-01
--------------	-------------	-------------



1:1

1:1

1:2



**LERICHE**

150 mm – 6 "	HF 04-65-01	HF 04-66-01
--------------	-------------	-------------



1:1

1:1

1x2

1x2

1:2

**ARTERIENKLEMMEN – HAEMOSTATIC FORCEPS**

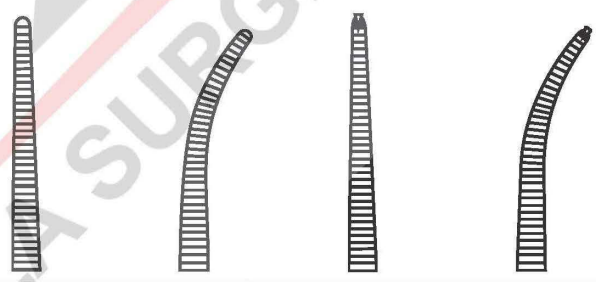
Arterienklemmen  
 Pinces hémostatiques  
 Pinzas hemostáticas  
 Pinze emostatiche



<b>KELLY</b>		
140 mm – 5 1/2" <sup>n</sup>	HF 04-70-01	HF 04-71-01

<b>KELLY - RANKIN</b>		
160 mm – 6 1/4" <sup>n</sup>	HF 04-75-01	HF 04-76-01

<b>KELLY</b>		
140 mm – 5 1/2" <sup>n</sup>	HF 04-80-01	HF 04-81-01



<b>CRILE</b>				
140 mm – 5 1/2" <sup>n</sup>	HF 04-85-01	HF 04-86-01	HF 04-87-01	HF 04-88-01
			1x2	1x2

<b>CRILE - RANKIN</b>				
160 mm – 6 1/4" <sup>n</sup>	HF 04-90-01	HF 04-91-01	HF 04-92-01	HF 04-93-01
			1x2	1x2

<b>CRILE</b>		
140 mm – 5 1/2" <sup>n</sup>	HF 04-95-01	HF 04-96-01

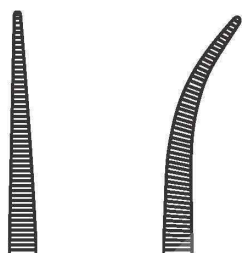
**ARTERIENKLEMMEN – HAEMOSTATIC FORCEPS**

Arterienklemmen  
 Pinces hémostatiques  
 Pinzas hemostáticas  
 Pinze emostatiche



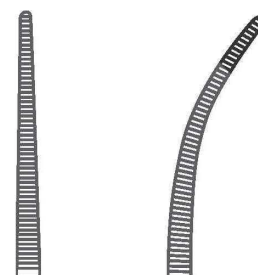
**COLLER**

140 mm – 5½"	HF 04-100-01	HF 04-101-01
160 mm – 6¼"	HF 04-100-02	HF 04-101-02



**PEAN**

130 mm – 5"	HF 04-105-01	HF 04-106-01
140 mm – 5½"	HF 04-105-02	HF 04-106-02
160 mm – 6¼"	HF 04-105-03	HF 04-106-03



graziles Modell  
*delicate pattern*



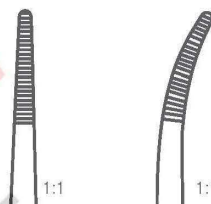
**DUNHILL**

125 mm – 5"	HF 04-110-01
-------------	--------------



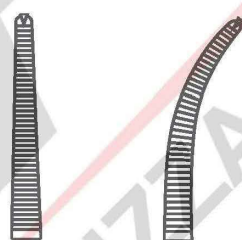
**CAIRNS**

150 mm – 6"	HF 04-115-01	HF 04-116-01
-------------	--------------	--------------



**KOCHER**

130 mm – 5"	HF 04-120-01	HF 04-121-01
140 mm – 5½"	HF 04-120-02	HF 04-121-02
160 mm – 6¼"	HF 04-120-03	HF 04-121-03



graziles Modell  
*delicate pattern*

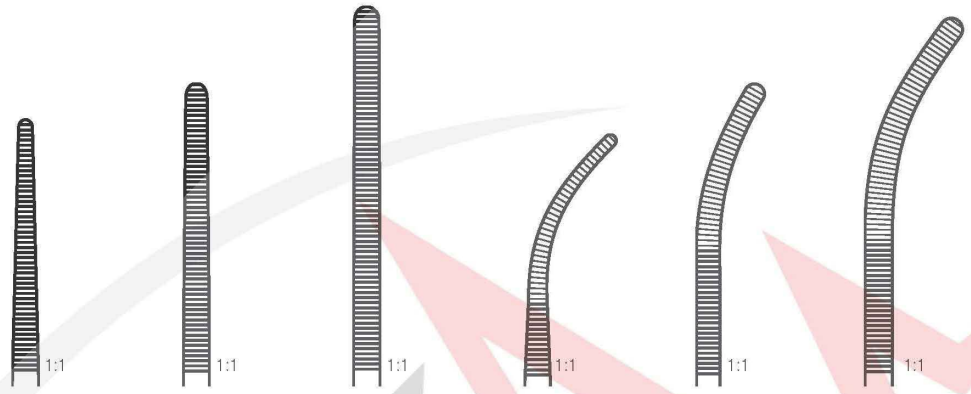
1x2                      1x2

**ARTERIENKLEMMEN – HAEMOSTATIC FORCEPS**

Arterienklemmen  
 Pinces hémostatiques  
 Pinzas hemostáticas  
 Pinze emostatiche



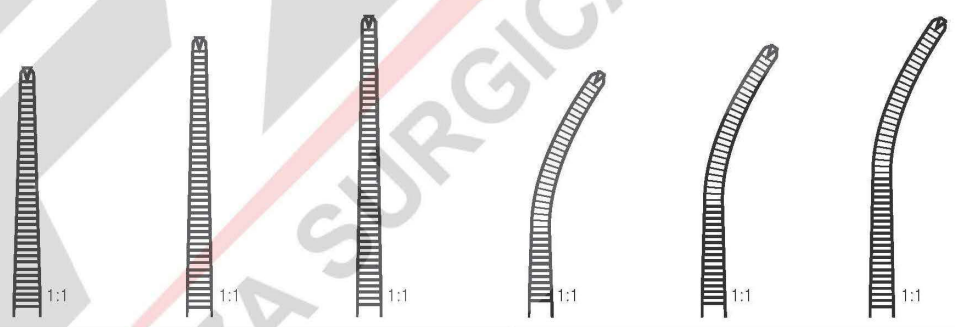
**PEAN - FINO**



145 mm – 5 3/4"	165 mm – 6 1/2"	185 mm – 7 1/4"	140 mm – 5 1/2"	160 mm – 6 1/4"	180 mm – 7"
HF 04-125-01	HF 04-125-02	HF 04-125-03	HF 04-125-04	HF 04-125-05	HF 04-125-06



**KOCHER - FINO**








145 mm – 5 3/4"	165 mm – 6 1/2"	185 mm – 7 1/4"	145 mm – 5 3/4"	160 mm – 6 1/4"	180 mm – 7"
HF 04-130-01	HF 04-130-02	HF 04-130-03	HF 04-130-04	HF 04-130-05	HF 04-130-06
1x2	1x2	1x2	1x2	1x2	1x2





**ARTERIENKLEMMEN – HAEMOSTATIC FORCEPS**

Arterienklemmen  
 Pinces hémostatiques  
 Pinzas hemostáticas  
 Pinze emostatiche



ROCHESTER-  
PEAN

				
140 mm – 5 1/2"	160 mm – 6 1/4"	180 mm – 7"	200 mm – 8"	220 mm – 8 3/4"
HF 04-135-01	HF 04-135-02	HF 04-135-03	HF 04-135-04	HF 04-135-05

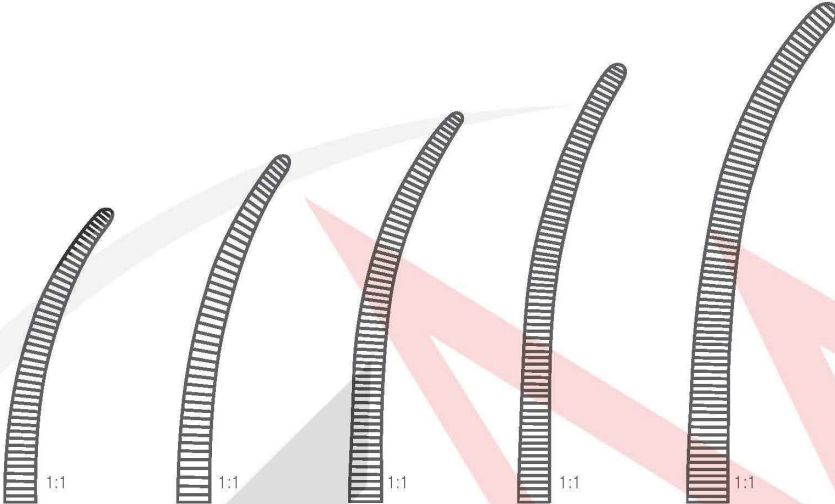
			
240 mm – 9 1/2"	260 mm – 10 1/4"	300 mm – 12"	350 mm – 14"
HF 04-135-06	HF 04-135-07	HF 04-135-08	HF 04-135-09



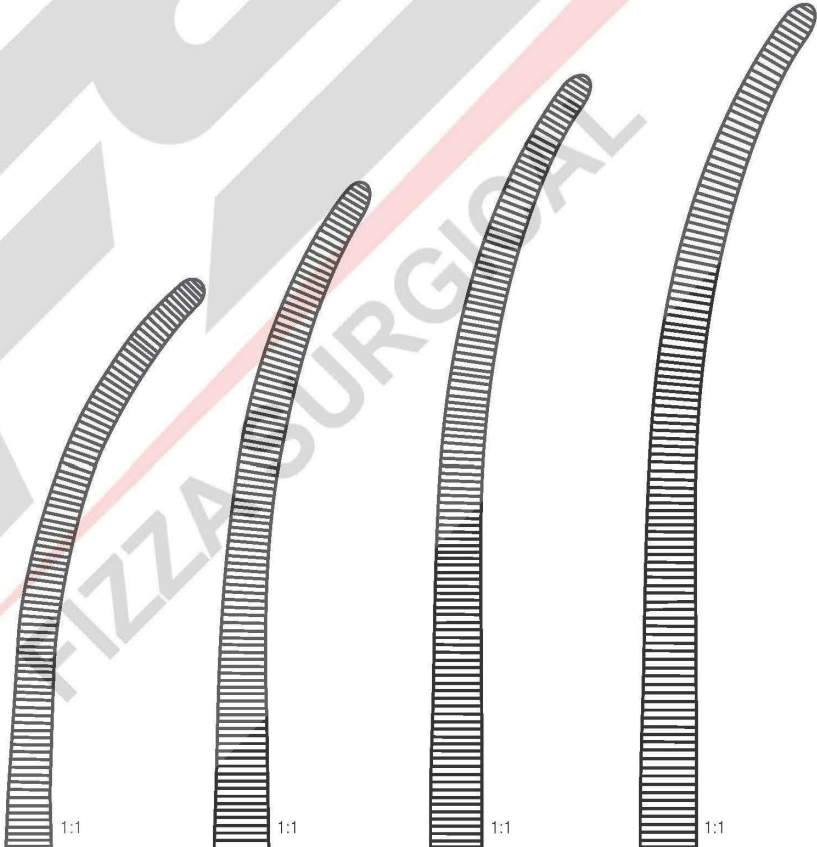
**ARTERIENKLEMMEN – HAEMOSTATIC FORCEPS**

Arterienklemmen  
 Pinces hémostatiques  
 Pinzas hemostáticas  
 Pinze emostatiche

ROCHESTER-PEAN



140 mm – 5½"	160 mm – 6¼"	180 mm – 7"	200 mm – 8"	220 mm – 8¾"
HF 04-136-01	HF 04-136-02	HF 04-136-03	HF 04-136-04	HF 04-136-05












240 mm – 9½"	260 mm – 10¼"	300 mm – 12"	350 mm – 14"
HF 04-136-06	HF 04-136-07	HF 04-136-08	HF 04-136-09

**ARTERIENKLEMMEN – HAEMOSTATIC FORCEPS**

Arterienklemmen  
 Pinces hémostatiques  
 Pinzas hemostáticas  
 Pinze emostatiche



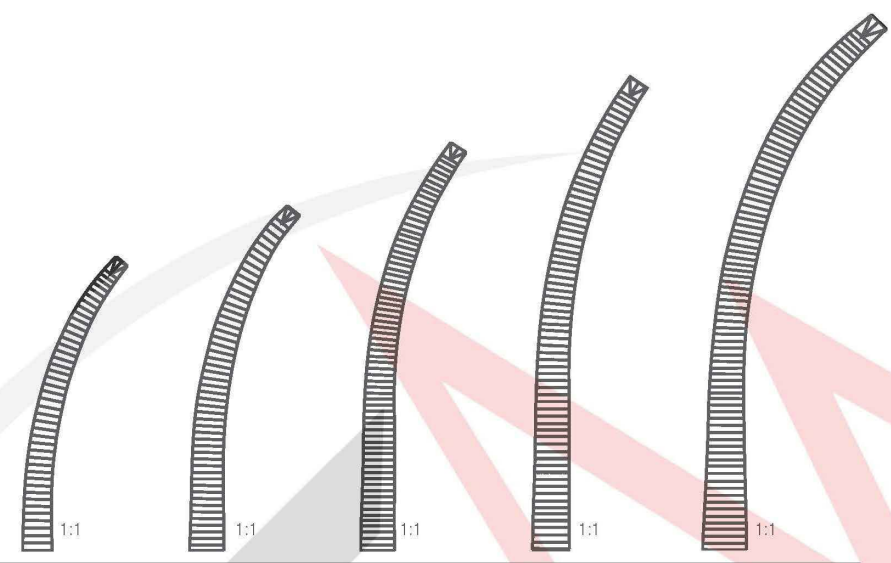
OCHSNER-  
KOCHER

				
140 mm – 5½"	160 mm – 6¼"	180 mm – 7"	200 mm – 8"	220 mm – 8¾"
HF 04-140-01	HF 04-140-02	HF 04-140-03	HF 04-140-04	HF 04-140-05
1x2	1x2	1x2	1x2	1x2
				
240 mm – 9½"	260 mm – 10¼"	300 mm – 12"	300 mm – 14"	
HF 04-140-06	HF 04-140-07	HF 04-140-08	HF 04-140-09	
1x2	1x2	1x2	1x2	

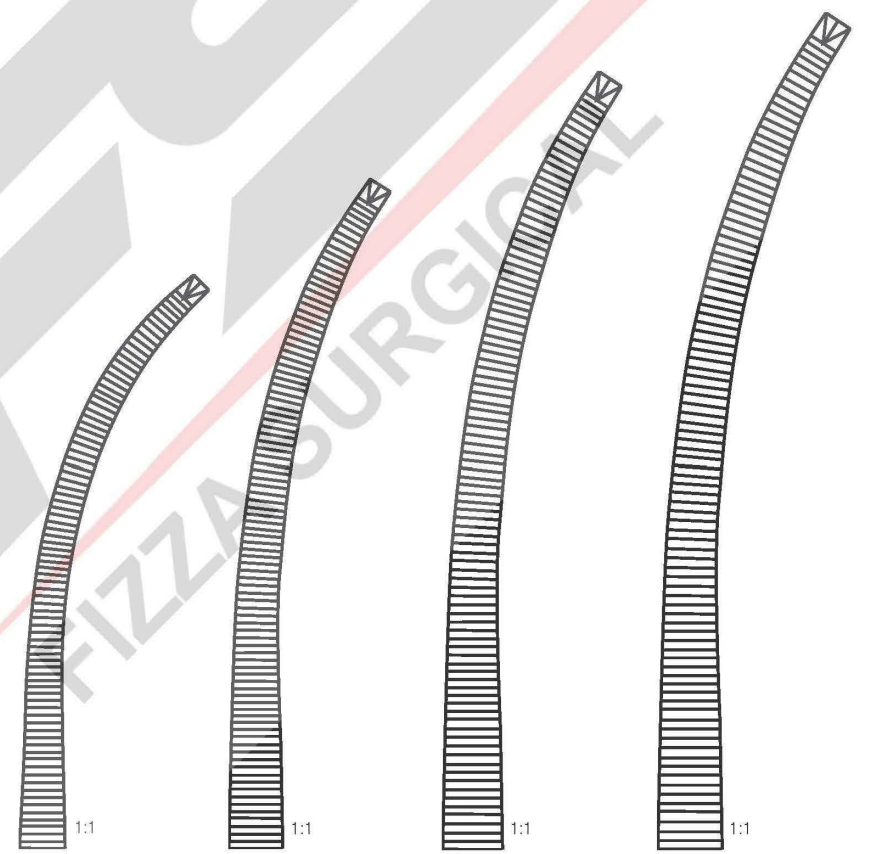
**ARTERIENKLEMMEN – HAEMOSTATIC FORCEPS**

Arterienklemmen  
 Pinces hémostatiques  
 Pinzas hemostáticas  
 Pinze emostatiche

**OCHSNER-KOCHER**



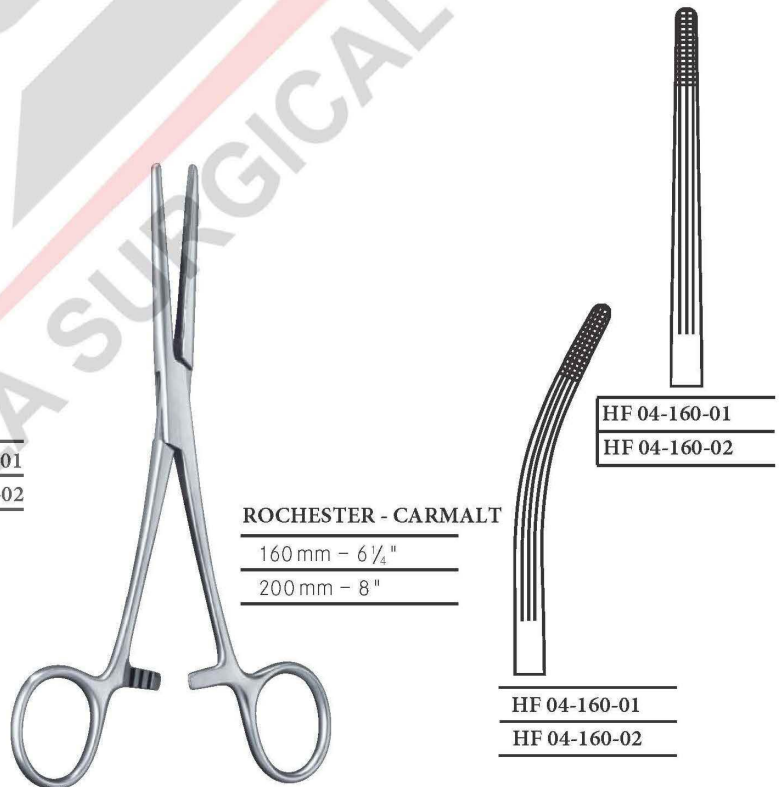
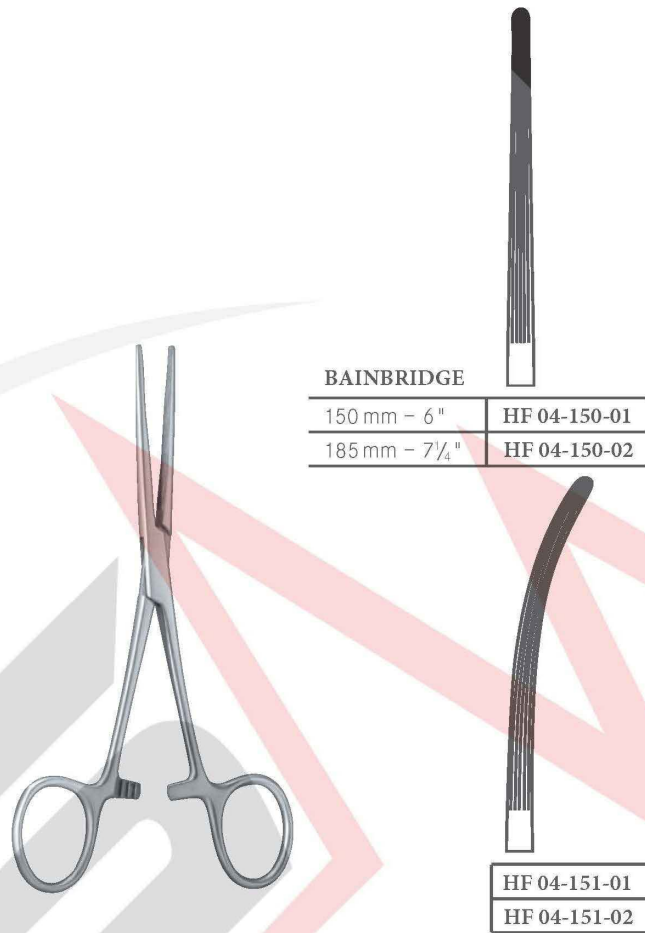
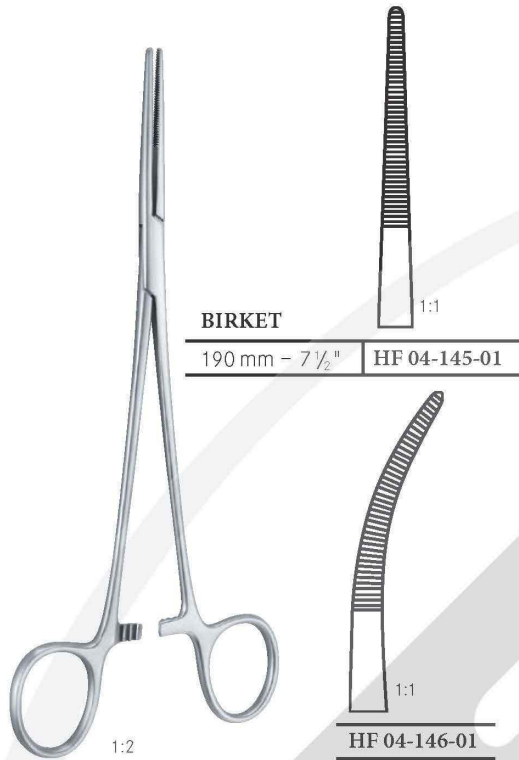
140 mm – 5½"	160 mm – 6¼"	180 mm – 7"	200 mm – 8"	220 mm – 8¾"
<b>HF 04-141-01</b>	<b>HF 04-141-02</b>	<b>HF 04-141-03</b>	<b>HF 04-141-04</b>	<b>HF 04-141-05</b>
1x2	1x2	1x2	1x2	1x2

240 mm – 9½"	260 mm – 10¼"	300 mm – 12"	350 mm – 14"
<b>HF 04-141-06</b>	<b>HF 04-141-07</b>	<b>HF 04-141-08</b>	<b>HF 04-141-09</b>
1x2	1x2	1x2	1x2

**ARTERIENKLEMMEN – HAEMOSTATIC FORCEPS**

Arterienklemmen  
Pincas hémostatiques  
Pinzas hemostáticas  
Pinze emostatiche





**ARTERIENKLEMMEN – HAEMOSTATIC FORCEPS**

Arterienklemmen | Pincas hémostatiques  
 Haemostatic forceps | Pinzas hemostáticas  
 Pinze emostatiche



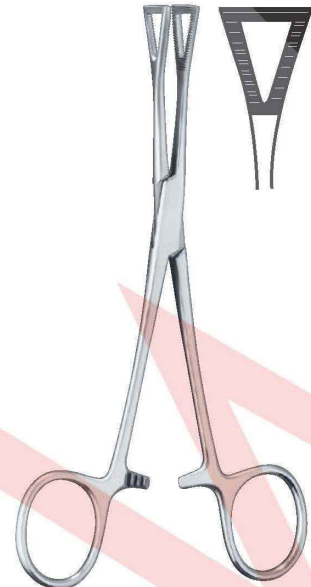
**CHAPUT**

130 mm – 5" | HF 04-165-01



**TUFFIER**

130 mm – 5" | HF 04-170-01



**PENNINGTON**

155 mm – 6" | HF 04-175-01  
 200 mm – 8" | HF 04-175-02



**COLLIN**

140 mm – 5 1/2" | HF 04-180-01



**PRATT**

150 mm – 6" | HF 04-185-01



**MARTEL**

140 mm – 5 1/2" | HF 04-190-01



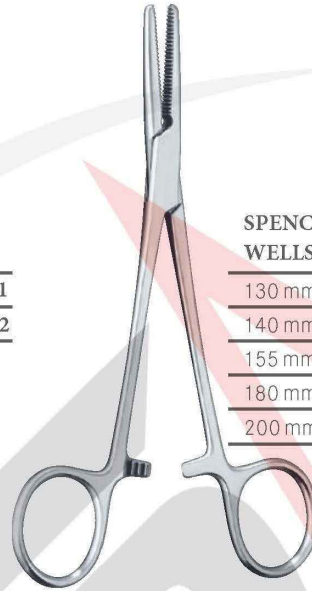
**ARTERIENKLEMMEN – HAEMOSTATIC FORCEPS**

Arterienklemmen | Pincas hémostatiques  
 Haemostatic forceps | Pinzas hemostáticas  
 Pinze emostatiche



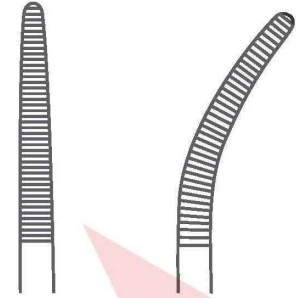
**FERGUSSON**

160 mm – 6 ¼"	HF 04-195-01
200 mm – 8"	HF 04-195-02



**SPENCER - WELLS**

130 mm – 5"	HF 04-200-01	HF 04-201-01
140 mm – 5 ½"	HF 04-200-02	HF 04-201-02
155 mm – 6"	HF 04-200-03	HF 04-201-03
180 mm – 7"	HF 04-200-04	HF 04-201-04
200 mm – 8"	HF 04-200-05	HF 04-201-05



**HALSTED - MOSQUITO**

180 mm – 7"	HF 04-205-01	HF 04-206-01	HF 04-207-01	HF 04-208-01
210 mm – 8 ¼"	HF 04-205-02	HF 04-206-02	HF 04-207-02	HF 04-208-02



1x2

1x2

**ARTERIENKLEMMEN – HAEMOSTATIC FORCEPS**

Arterienklemmen | Pincas hémostatiques  
 Haemostatic forceps | Pinzas hemostáticas  
 Pinze emostatiche



**BENGOLEA**

200 mm – 8"	HF 04-210-01	HF 04-211-01	HF 04-212-01	HF 04-213-01
260 mm – 10¼"	HF 04-210-02	HF 04-211-02	HF 04-212-02	HF 04-213-02

1x2

1x2



**ADSON**

185 mm – 7¼"	HF 04-210-01	HF 04-211-01	HF 04-212-01	HF 04-213-01
--------------	--------------	--------------	--------------	--------------

1x2

1x2

1:2

**ARTERIENKLEMMEN – HAEMOSTATIC FORCEPS**

Arterienklemmen | Pincas hémostatiques  
 Haemostatic forceps | Pinzas hemostáticas  
 Pinze emostatiche



**HEISS**

200 mm – 8"	HF 04-215-01	HF 04-216-01
-------------	--------------	--------------

**BABY - MIXTER**

140 mm – 5½"	HF 04-220-01	HF 04-221-01
180 mm – 7"	HF 04-220-02	HF 04-221-02

**BABY - ADSON**

140 mm – 5½"	HF 04-225-01	HF 04-226-01
180 mm – 7"	HF 04-225-02	HF 04-226-02




**BABY - OVERHOLT**




135 mm – 5¼"	HF 04-230-01
--------------	--------------

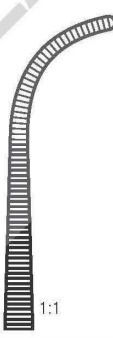
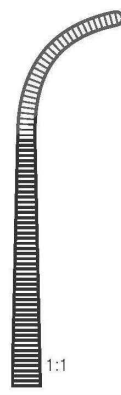
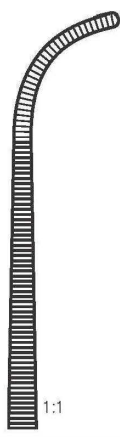
**ARTERIENKLEMMEN – HAEMOSTATIC FORCEPS**

Arterienklemmen | Pincas hémostatiques  
 Haemostatic forceps | Pinzas hemostáticas  
 Pinze emostatiche



KELLY - FRASER			
	Fig. 1	Fig. 1	Fig. 1
	195 mm - 7 3/4"	225 mm - 8 3/4"	245 mm - 9 3/4"
	HF 04-235-01	HF 04-235-02	HF 04-235-03

		
Fig. 2	Fig. 2	Fig. 2
190 mm - 7 1/2"	220 mm - 8 3/4"	240 mm - 9 1/2"
HF 04-235-04	HF 04-235-05	HF 04-235-06

		
Fig. 3	Fig. 3	Fig. 3
185 mm - 7 1/4"	215 mm - 8 1/2"	235 mm - 9 1/4"
HF 04-235-07	HF 04-235-08	HF 04-235-09

**ARTERIENKLEMMEN – HAEMOSTATIC FORCEPS**

Arterienklemmen  
*Haemostatic forceps*

Pinces hémostatiques  
*Pinzas hemostáticas*  
Pinze emostatiche



**SCHNIDT**

190 mm – 7 1/2"



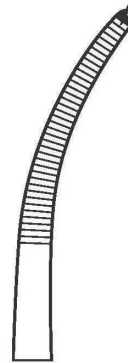
HF 04-240-01	HF 04-241-01
--------------	--------------



**TOENNIS**

210 mm – 8 1/4"

260 mm – 10 1/4"



HF 04-245-01	HF 04-246-01	HF 04-247-01	HF 04-248-01
HF 04-245-02	HF 04-246-02	HF 04-247-02	HF 04-248-02

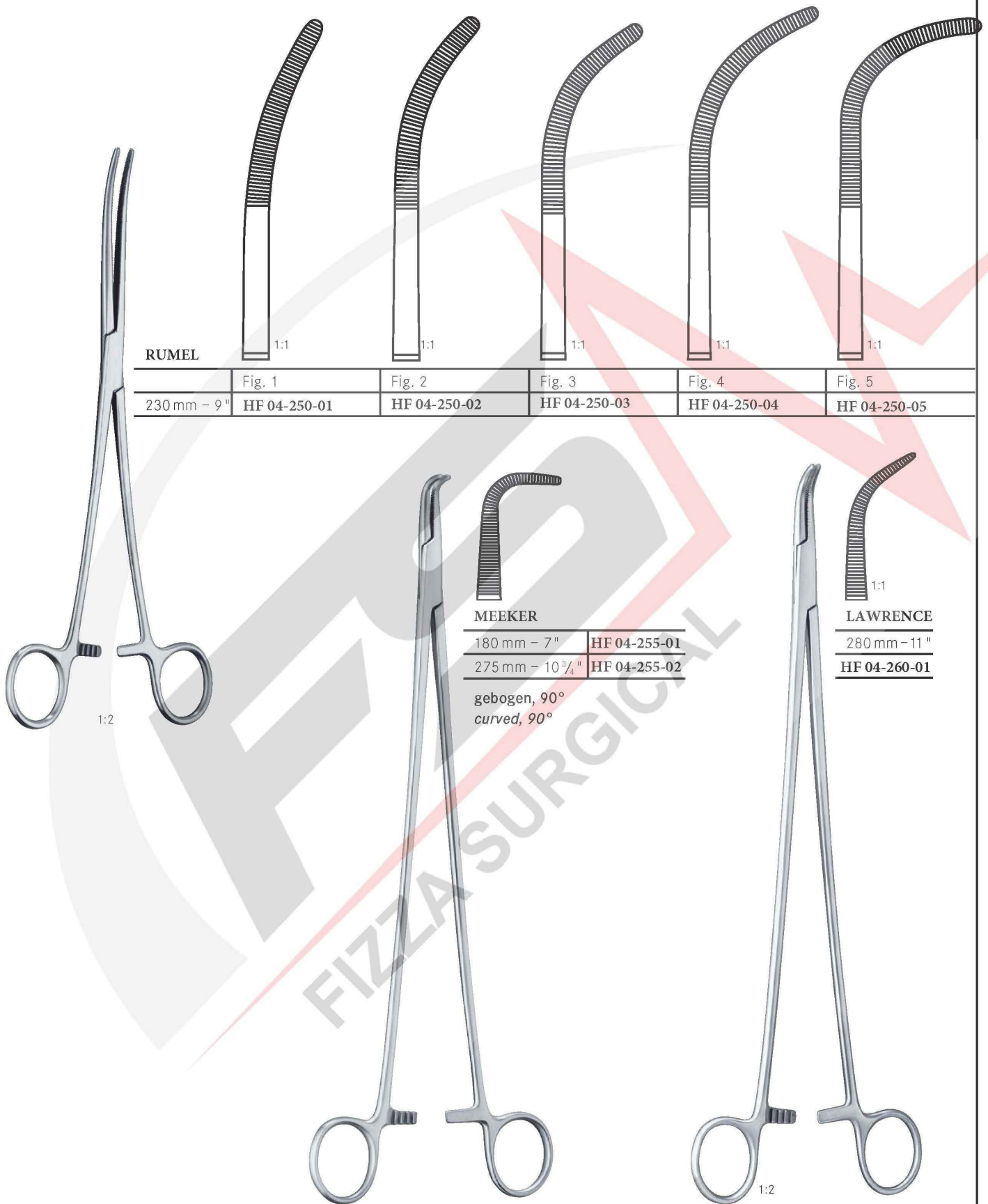
1x2

1x2



**ARTERIENKLEMMEN – HAEMOSTATIC FORCEPS**

Arterienklemmen | Pincas hémostatiques  
 Haemostatic forceps | Pinzas hemostáticas  
 Pinze emostatiche



RUMEL 230 mm – 9"	Fig. 1	Fig. 2	Fig. 3	Fig. 4	Fig. 5
	HF 04-250-01	HF 04-250-02	HF 04-250-03	HF 04-250-04	HF 04-250-05
	1:1	1:1	1:1	1:1	1:1

**MEEKER**

180 mm – 7"	HF 04-255-01
275 mm – 10 3/4"	HF 04-255-02

gebogen, 90°  
 curved, 90°

**LAWRENCE**

280 mm – 11"	HF 04-260-01
--------------	--------------

**ARTERIENKLEMMEN – HAEMOSTATIC FORCEPS**

Präparier- und Ligaturklemmen  
*Dissecting and ligature forceps*

Pinces à disséquer et à sutures  
*Pinzas para preparación y suturas*  
Pinze per preparazioni e suture



**OVERHOLT -  
GEISSENDOERFER**

	Fig. 0	Fig. 1	Fig. 2	Fig. 3
210 mm – 8 ¼"	HF 04-265-01	HF 04-266-01	HF 04-267-01	HF 04-268-01
270 mm – 10 ¾"	HF 04-265-02	HF 04-266-02	HF 04-267-02	HF 04-268-02

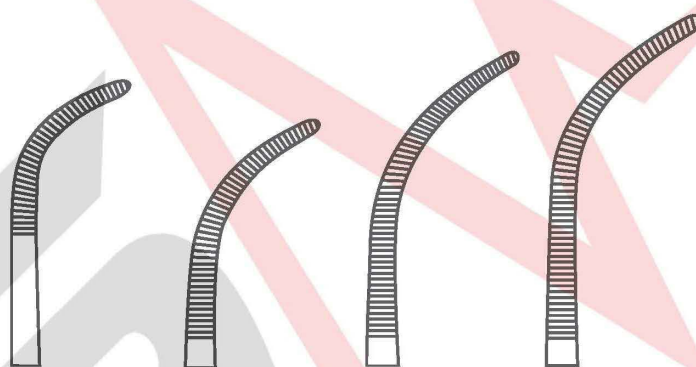
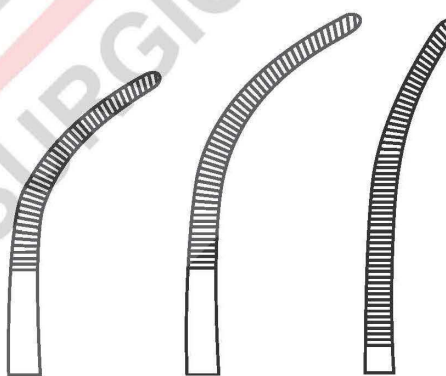


	Fig. 4	Fig. 5	Fig. 6
210 mm – 8 ¼"	HF 04-268-01	HF 04-269-01	HF 04-270-01
270 mm – 10 ¾"	HF 04-268-02	HF 04-269-02	HF 04-270-02



**ARTERIENKLEMMEN – HAEMOSTATIC FORCEPS**

Präparier- und Ligaturklemmen  
*Dissecting and ligature forceps*

Pinces à disséquer et à sutures  
*Pinzas para preparación y suturas*  
Pinze per preparazioni e suture



**OVERHOLT - FINO**

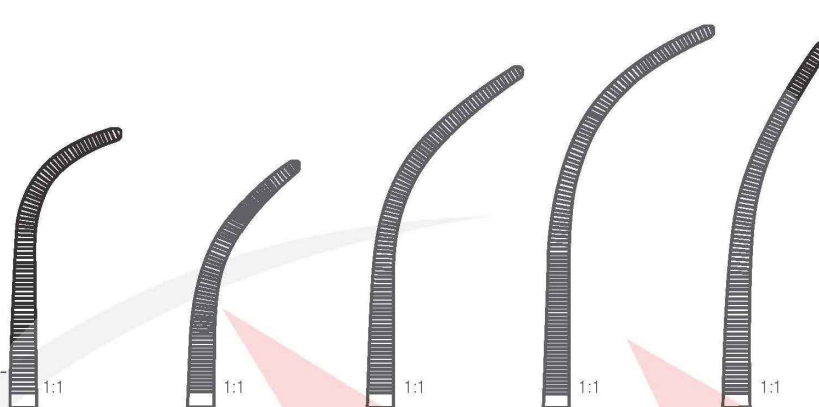


Fig. 0	Fig. 1	Fig. 2	Fig. 3	Fig. 6
215 mm – 8½"	210 mm – 8¼"	220 mm – 8¾"	230 mm – 9"	225 mm – 8¾"
HF 04-271-01	HF 04-272-01	HF 04-273-01	HF 04-274-01	HF 04-275-01



**OVERHOLT**

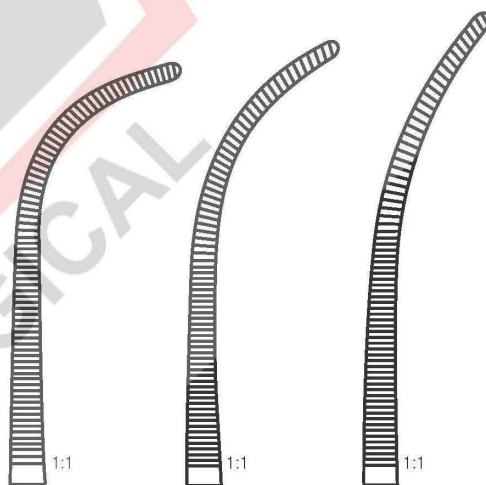
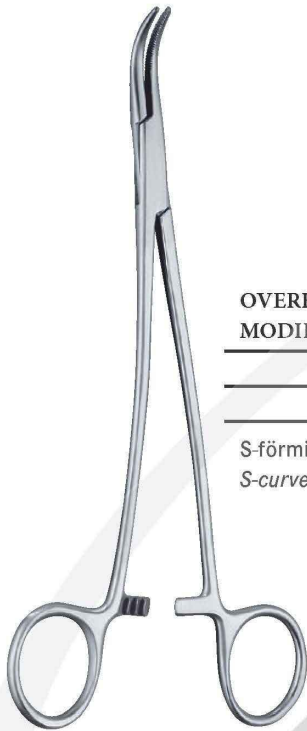


Fig. 0	Fig. 1	Fig. 6
295 mm – 8½"	295 mm – 8½"	300 mm – 8¾"
HF 04-275-01	HF 04-275-01	HF 04-275-01

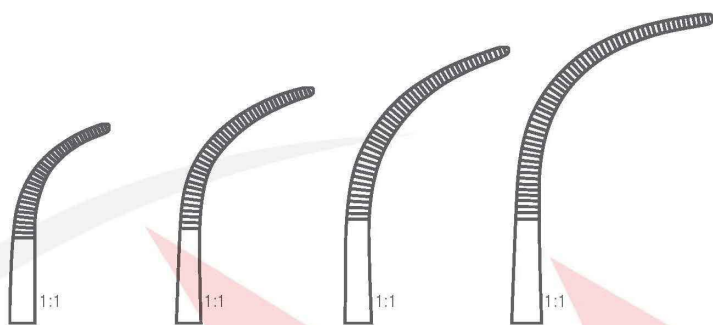
**ARTERIENKLEMMEN – HAEMOSTATIC FORCEPS**

Präparier- und Ligaturklemmen  
*Dissecting and ligature forceps*

Pinces à disséquer et à sutures  
*Pinzas para preparación y suturas*  
Pinze per preparazioni e suture



**OVERHOLT -  
MODIFIZIERT**

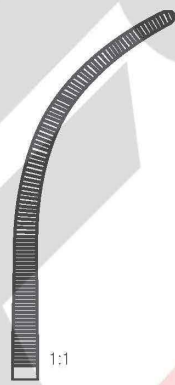


185 mm – 7 ¼"	205 mm – 8"	210 mm – 8 ¼"	215 mm – 8 ½"
HF 04-280-01	HF 04-280-02	HF 04-280-03	HF 04-280-04

S-förmig gebogen  
*S-curved*



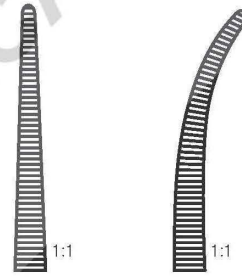
**OVERHOLT -  
MIXTER**



210 mm – 8 ¼"	HF 04-285-01
---------------	--------------



**BRIDGE**



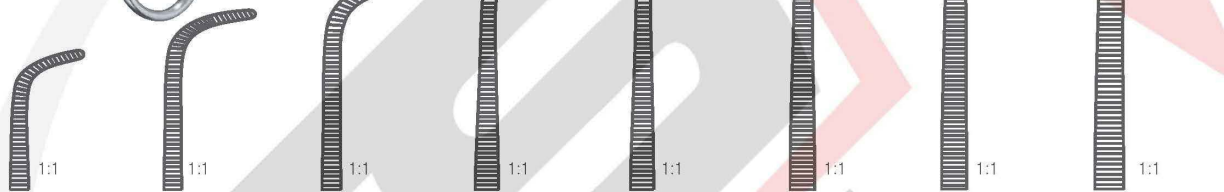
280 mm – 11"	HF 04-290-01	HF 04-291-01
--------------	--------------	--------------



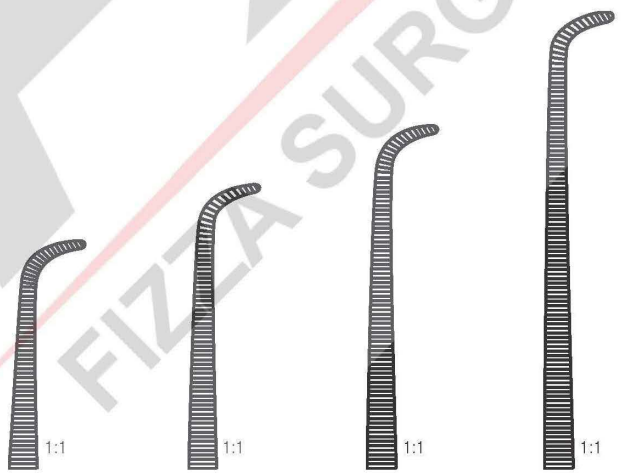
**ARTERIENKLEMMEN – HAEMOSTATIC FORCEPS**

Präparier- und Ligaturklemmen  
*Dissecting and ligature forceps*

Pinces à disséquer et à sutures  
*Pinzas para preparación y suturas*  
Pinze per preparazioni e suture



<b>GEMINI</b>	1:1	1:1	1:1	1:1	1:1	1:1	1:1	1:1
	130 mm – 5 "	160 mm – 6 ¼ "	180 mm – 7 "	200 mm – 8 "	230 mm – 9 "	250 mm – 9 ¾ "	280 mm – 11 "	350 mm – 14 "
	HF 04-295-01	HF 04-295-01	HF 04-295-01	HF 04-295-01	HF 04-295-01	HF 04-295-01	HF 04-295-01	HF 04-295-01



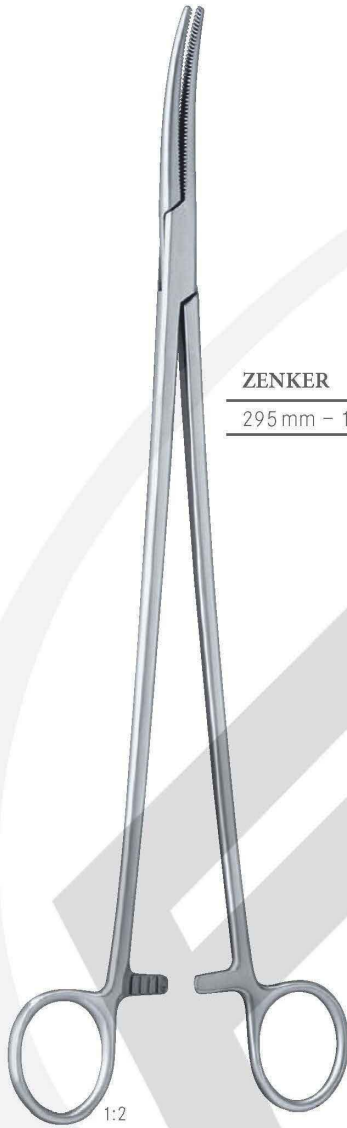
<b>MINI-GEMINI</b>	1:1	1:1	1:1	1:1
	180 mm – 7 "	220 mm – 8 ¾ "	250 mm – 9 ¾ "	280 mm – 11 "
	HF 04-300-01	HF 04-300-02	HF 04-300-03	HF 04-300-04



**ARTERIENKLEMMEN – HAEMOSTATIC FORCEPS**

Präparier- und Ligaturklemmen  
*Dissecting and ligature forceps*

Pincès à disséquer et à sutures  
*Pinzas para preparación y suturas*  
Pinze per preparazioni e suture

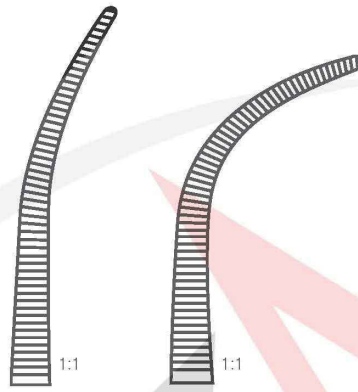


ZENKER

295 mm – 11½"

HF 04-305-01

HF 04-306-01

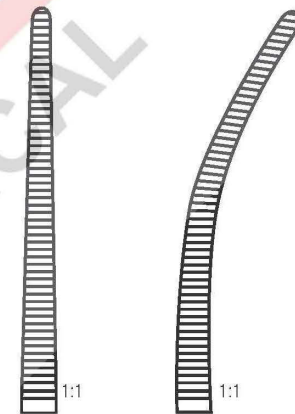


ROBERTS

220 mm – 8¾"

HF 04-310-01

HF 04-311-01



**ARTERIENKLEMMEN – HAEMOSTATIC FORCEPS**

Präparier- und Ligaturklemmen  
*Dissecting and ligature forceps*

Pinces à disséquer et à sutures  
*Pinzas para preparación y suturas*  
Pinze per preparazioni e suture



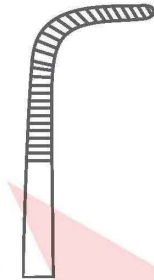
**MIXTER**

155 mm – 6"	HF 04-315-01
190 mm – 7½"	HF 04-315-02



**KANTROWITZ**

190 mm – 7½"	HF 04-320-01
240 mm – 9½"	HF 04-320-02
265 mm – 10½"	HF 04-320-03



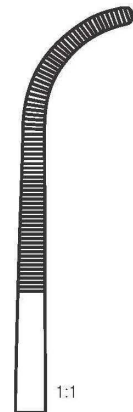
**MIXTER**

220 mm – 8¾"	HF 04-325-01
350 mm – 14"	HF 04-325-02



**MIXTER**

230 mm – 9"	HF 04-330-01
-------------	--------------



1:2

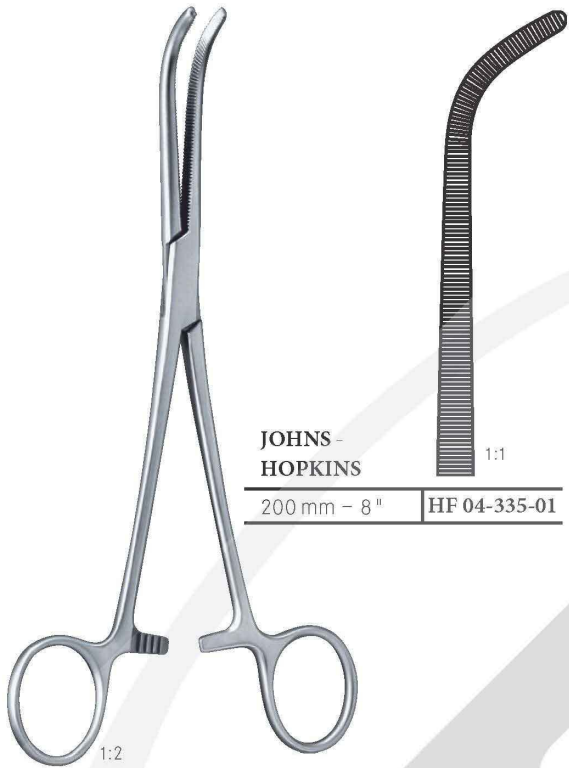
1:2

1:1

**ARTERIENKLEMMEN – HAEMOSTATIC FORCEPS**

Präparier- und Ligaturklemmen  
*Dissecting and ligature forceps*

Pinces à disséquer et à sutures  
*Pinzas para preparación y suturas*  
Pinze per preparazioni e suture



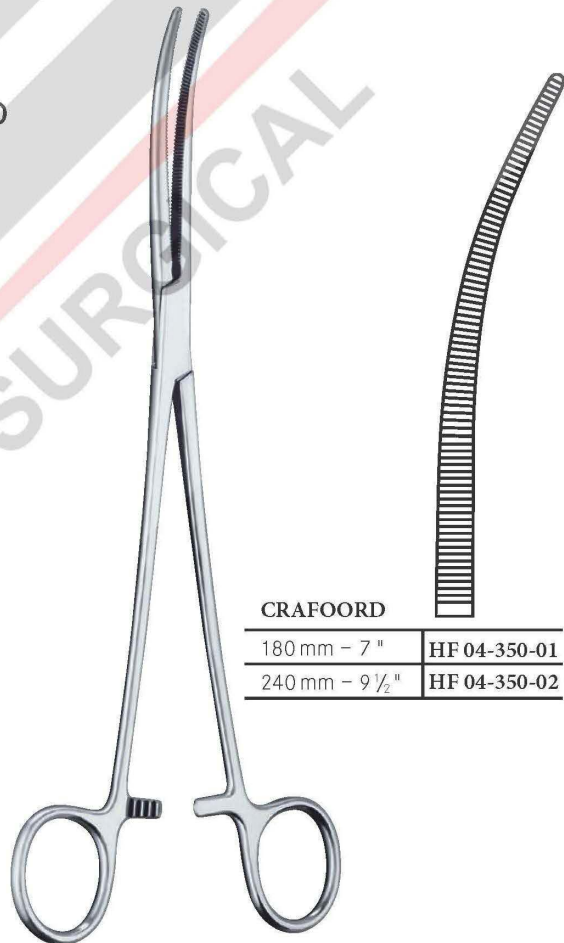
**JOHNS - HOPKINS**  
200 mm – 8" | HF 04-335-01



**MIXTER - O'SHAUGHNESSY**  
190 mm – 7½" | HF 04-340-01



**WICKSTROM**  
210 mm – 8¼" | HF 04-345-01  
240 mm – 9½" | HF 04-345-02



**CRAFOORD**  
180 mm – 7" | HF 04-350-01  
240 mm – 9½" | HF 04-350-02

**ARTERIENKLEMMEN – HAEMOSTATIC FORCEPS**

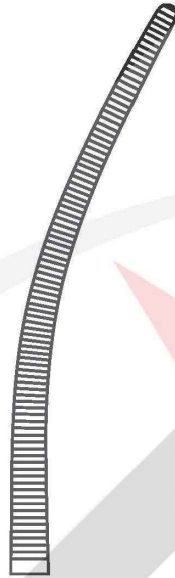
Präparier- und Ligaturklemmen  
*Dissecting and ligature forceps*

Pinces à disséquer et à sutures  
*Pinzas para preparación y suturas*  
Pinze per preparazioni e suture



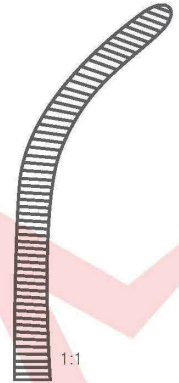
**SAROT**

240 mm – 9 ½"	HF 04-355-01	HF 04-356-01
350 mm – 14"	HF 04-355-02	HF 04-356-02



**DEAN - SHALLCROSS**

180 mm – 7"	HF 04-360-01
-------------	--------------



**NEGUS**

190 mm – 7 ½"	HF 04-365-01	HF 04-366-01
---------------	--------------	--------------





**ARTERIENKLEMMEN – HAEMOSTATIC FORCEPS**

Gallenkanal- und Nierenstielklemmen  
*Kidney pedicle and gall duct forceps*

Pinces pour pédicules renaux et voies biliaires  
*Pinzas para pediculos renales y conductos biliares*  
Pinze per peduncoli renali e vie biliari





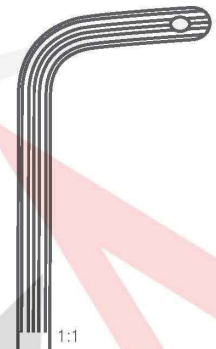
**ARTERIENKLEMMEN – HAEMOSTATIC FORCEPS**

Gallenkanal- und Nierenstielklemmen  
*Kidney pedicle and gall duct forceps*

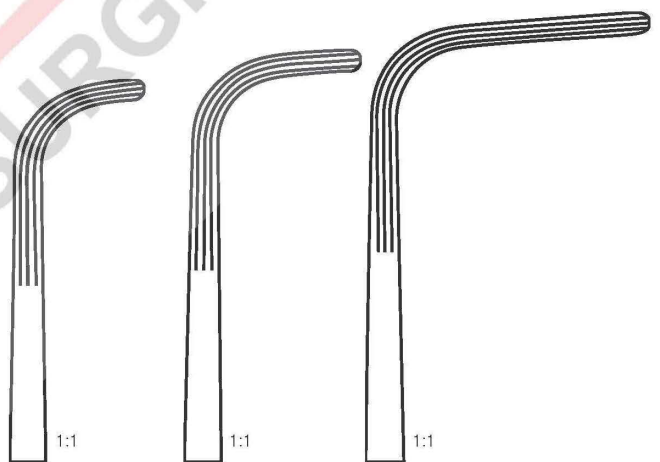
Pinces pour pédicules renaux et voies biliaires  
*Pinzas para pediculos renales y conductos biliares*  
Pinze per peduncoli renali e vie biliari



**FINOCHIETTO**  
240 mm – 9 1/2 " | HF 04-385-01



**MIXTER**




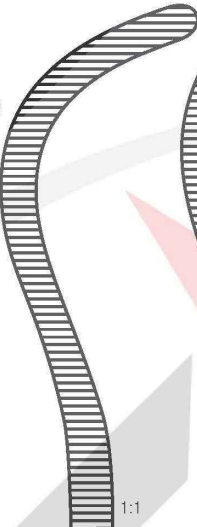
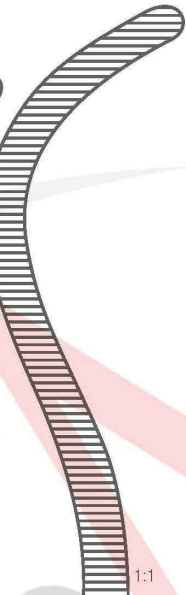
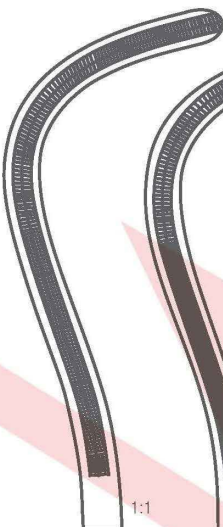

220 mm – 8 3/4 "	250 mm – 9 3/4 "	280 mm – 11 "
HF 04-390-01	HF 04-390-02	HF 04-390-03

**ARTERIENKLEMMEN – HAEMOSTATIC FORCEPS**


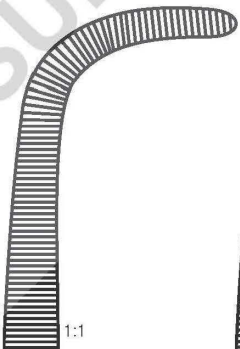
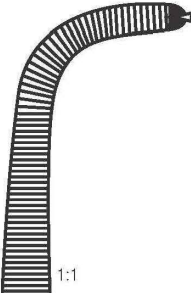
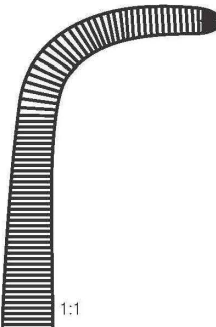
Gallenkanal- und Nierenstielklemmen  
Kidney pedicle and gall duct forceps

Pinces pour pédicules renaux et voies biliaires  
Pinzas para pediculos renales y conductos biliares  
Pinze per peduncoli renali e vie biliari



GUYON	 1:1	 1:1	 1:1	 1:1	 1:1
	200 mm – 8"	220 mm – 8 3/4"	240 mm – 9 1/2"	230 mm – 9"	230 mm – 9"
	HF 04-395-01	HF 04-395-02	HF 04-395-03	HF 04-396-01	HF 04-396-02



GRAY	 1:1	 1:1	 1:1	 1:1
	Fig. 1 220 mm – 8 3/4"	Fig. 2 230 mm – 9"	Fig. 1 220 mm – 8 3/4"	Fig. 2 230 mm – 9"
	HF 04-400-01	HF 04-400-02	HF 04-401-01	HF 04-401-02
			1x2	1x2

**ARTERIENKLEMMEN – HAEMOSTATIC FORCEPS**

**Nierenstielklemmen**  
*Kidney pedicle forceps*

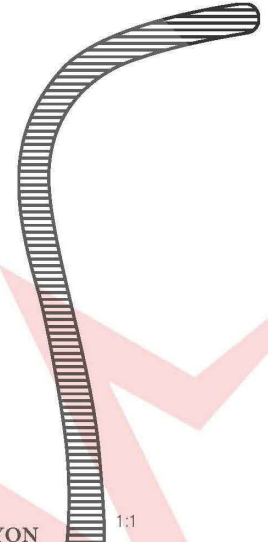
Pinces pour pédicules renaux  
*Pinzas para pediculos renales*  
Pinze per peduncoli renali



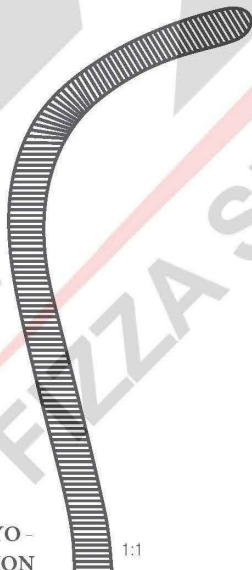
**HERRICK**  
230 mm – 9 " | **HF 04-405-01**



**GUYON**  
230 mm – 9 " | **HF 04-410-01**



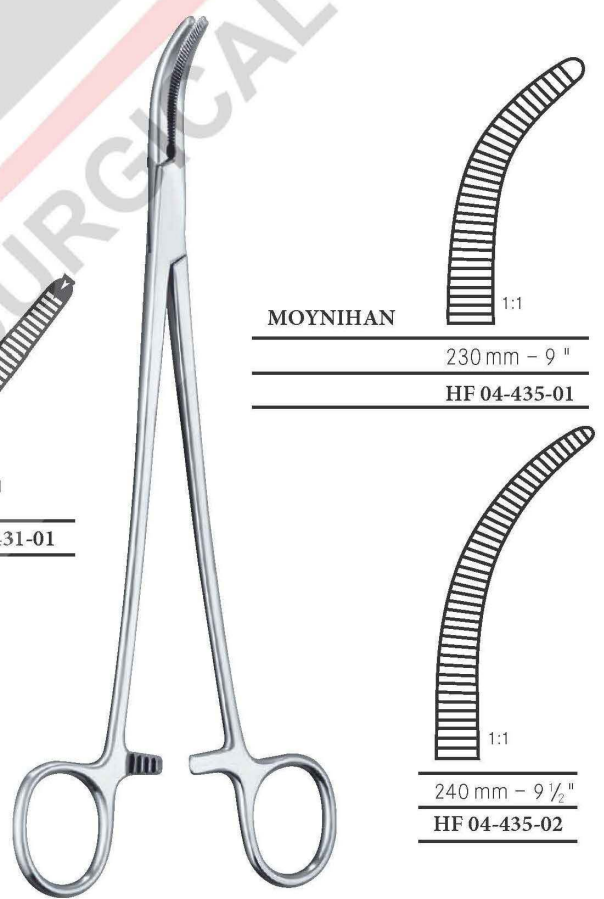
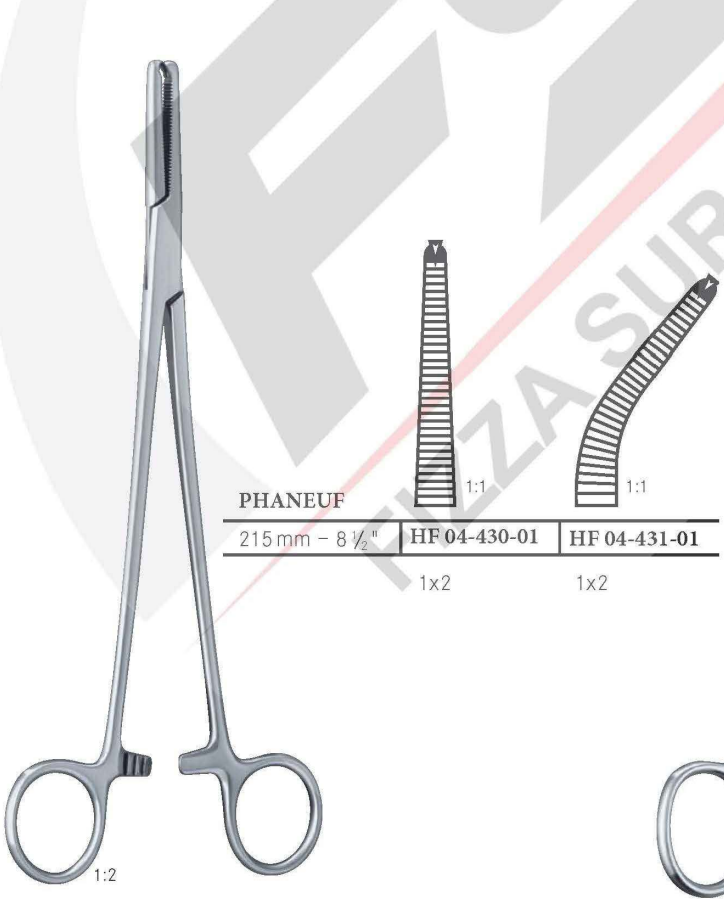
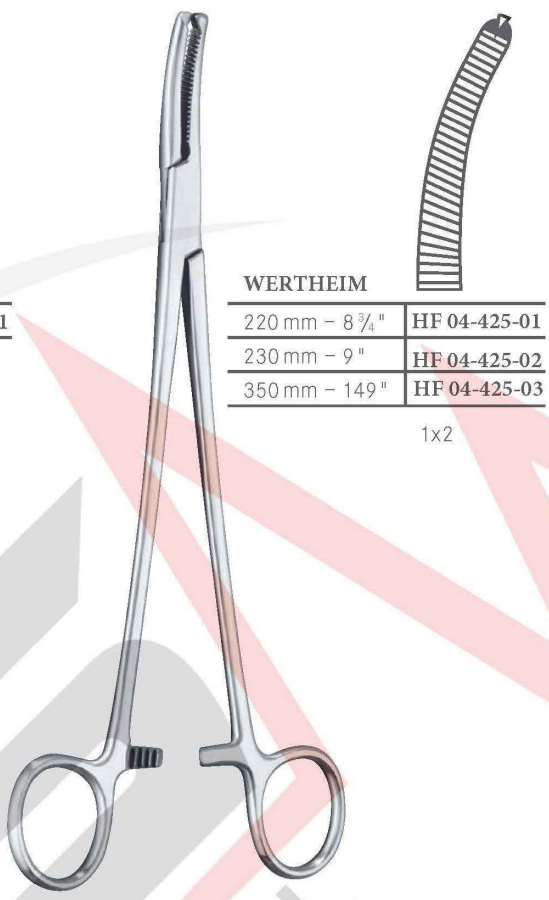
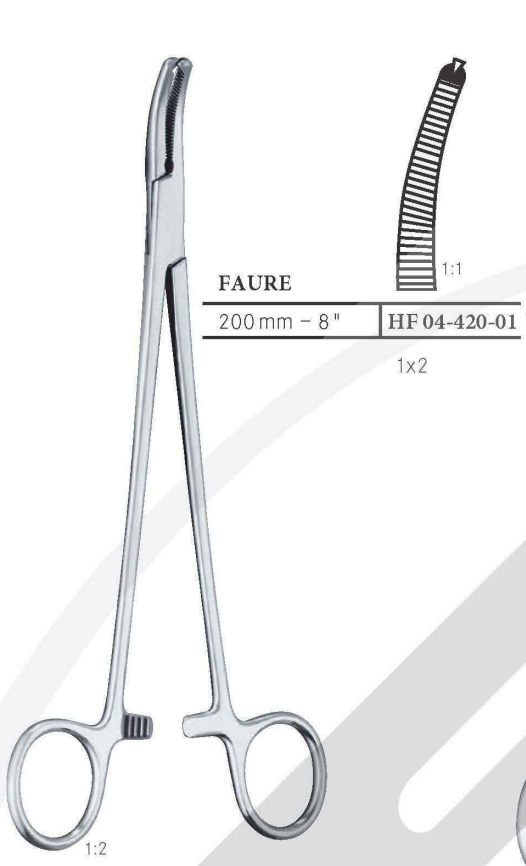
**MAYO - GUYON**  
230 mm – 9 " | **HF 04-415-01**



**ARTERIENKLEMMEN – HAEMOSTATIC FORCEPS**

Klemmzangen – Peritoneumklemmen  
Clamp forceps – Peritoneal forceps

Pinces-clamps – Pincas para el peritoneo  
Pincas-clamps – Pincas para peritoneo  
Pinze per peritoneo

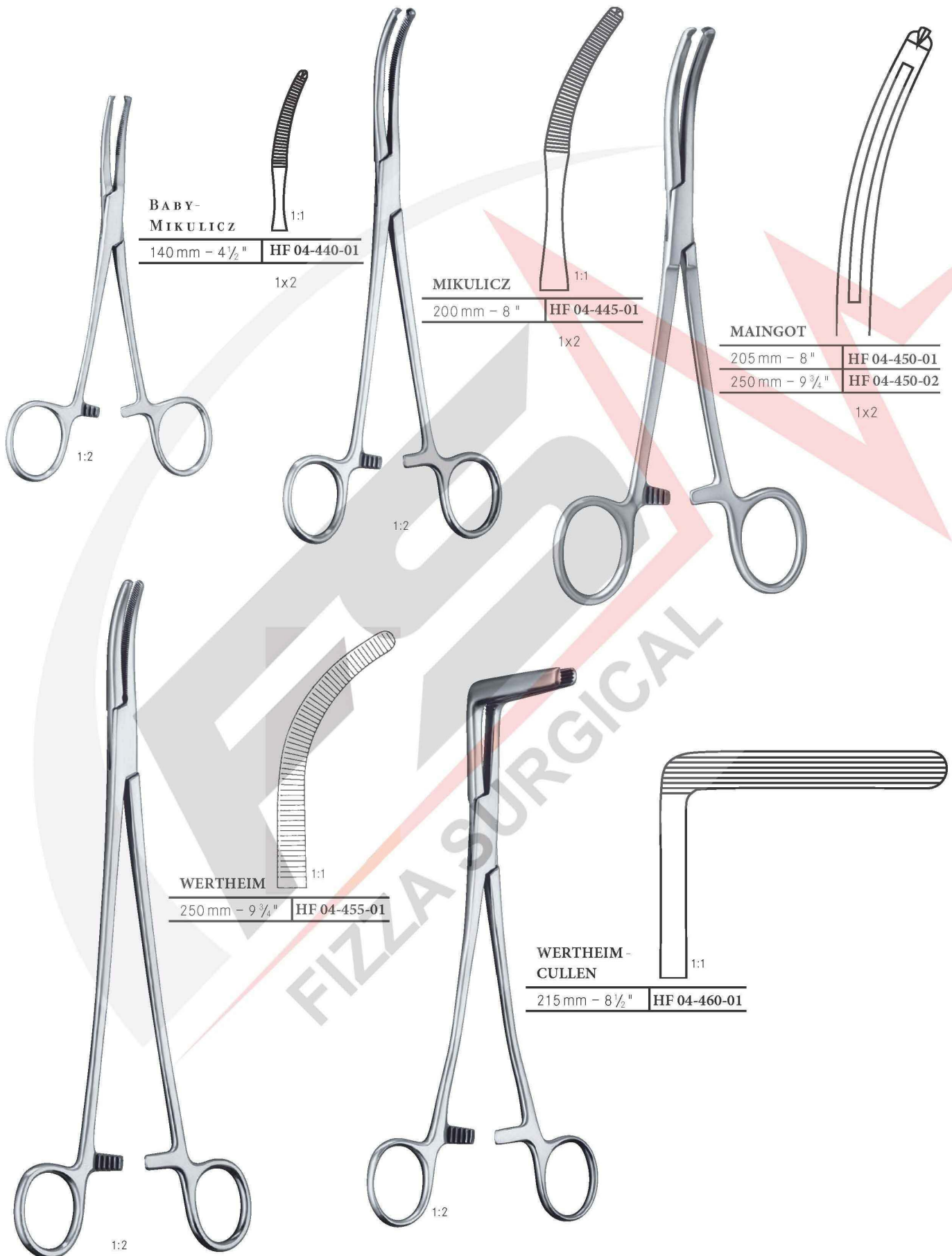




**ARTERIENKLEMMEN – HAEMOSTATIC FORCEPS**

Klemmzangen – Peritoneumklemmen  
Clamp forceps – Peritoneal forceps

Pinces-clamps – Pincés pour le péritoine  
Pinzas-clamps – Pinzas para peritoneo  
Pinze per peritoneo





**ARTERIENKLEMMEN – HAEMOSTATIC FORCEPS**

Hysterektomieklemmen | Pincas pour hystérectomie  
*Hysterectomy forceps* | *Pinzas para histerectomia*  
 Pinze per isterectomia



HEANEY

210 mm – 8 ¼"

HF 04-465-01

HF 04-466-01



HEANEY -  
BALLANTINE

210 mm – 8 ¼"



1:1



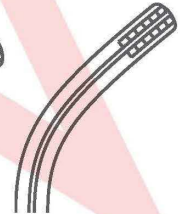
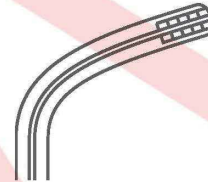
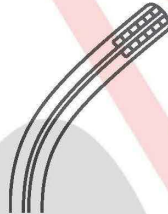
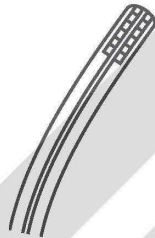
1:1

HF 04-470-01

HF 04-471-01

**ARTERIENKLEMMEN – HAEMOSTATIC FORCEPS**

Parametriumklemmen <i>Parametrium forceps</i>	Pincas parametrium <i>Pinzas parametrium</i> Pinze parametrium
--	--



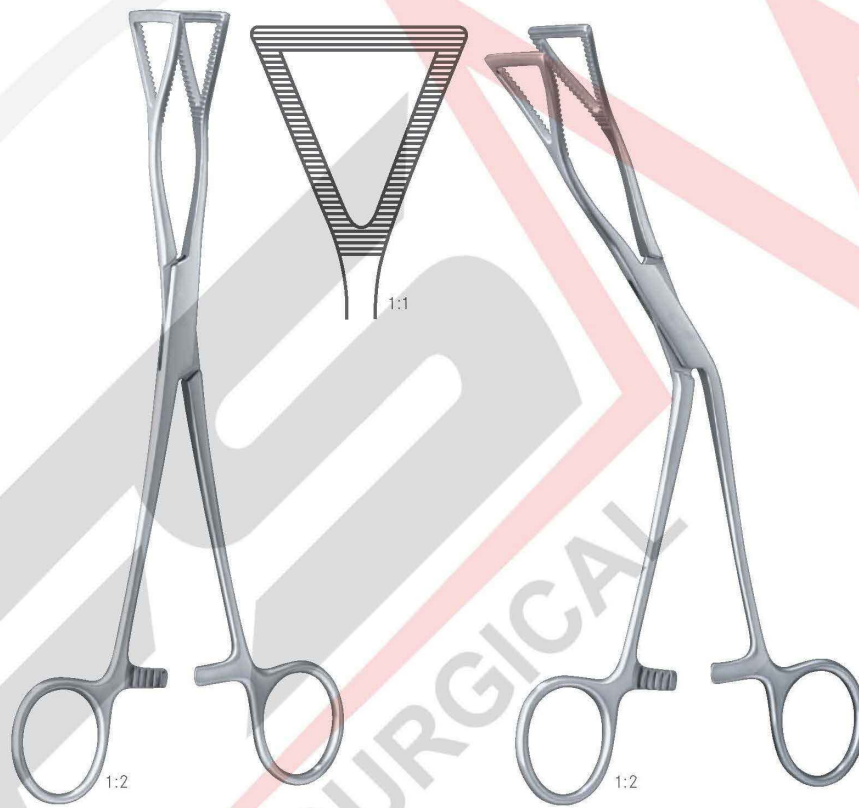
210 mm – 8 $\frac{1}{4}$ "	HF 04-475-01	HF 04-476-01	HF 04-477-01	HF 04-478-01	HF 04-479-01
240 mm – 9 $\frac{1}{2}$ "	HF 04-475-02	HF 04-476-02	HF 04-477-02	HF 04-478-02	HF 04-479-02
300 mm – 12"	HF 04-475-03	HF 04-476-03	HF 04-477-03	HF 04-478-03	HF 04-479-03
350 mm – 13 $\frac{3}{4}$ "	HF 04-475-04	HF 04-476-04	HF 04-477-04	HF 04-478-04	HF 04-479-04

S-förmig gebogen  
S-curved

FIZZA SURGICAL

**ARTERIENKLEMMEN – HAEMOSTATIC FORCEPS**

<p><b>Lungenfasszangen</b> <i>Lung grasping forceps</i></p>	<p>Pinces-clamps pour poumons <i>Pinzas para coger pulmones</i> Pinza per afferrare il polmone</p>
---	--



**LOVELACE**

200 mm – 8"

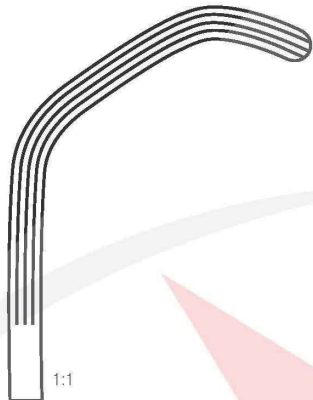
**HF 04-480-01**

**HF 04-481-01**

**ARTERIENKLEMMEN – HAEMOSTATIC FORCEPS**

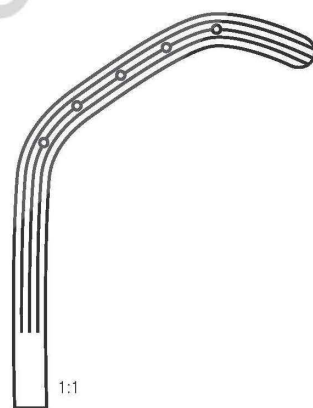
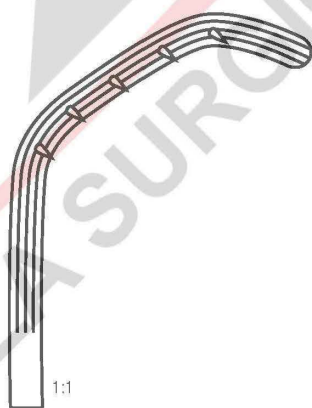
Bronchus- und Gefäßklemmen  
*Bronches- and vascular clamps*

Pinces vasculaires et pour bronches  
*Pinzas vasculares y bronquiales*  
Pinze vascolari e per bronchi



PRICE - THOMAS

220 mm – 8 3/4"	HF 04-485-01
-----------------	--------------



PRICE - THOMAS

220 mm – 8 3/4"	HF 04-490-01
-----------------	--------------

HF 04-491-01
--------------

Stifte links  
*Pins left*

Stifte rechts  
*Pins right*

**ARTERIENKLEMMEN – HAEMOSTATIC FORCEPS**

**Bronchus- und Gefäßklemmen**  
*Bronches- and vascular clamps*

Pinces vasculaires et pour bronches  
*Pinza clamps vasculares y bronquiales*  
Pinze vascolari e per bronchi



**SAROT**

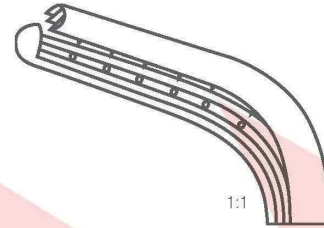
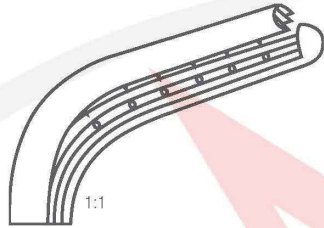
230 mm – 9"

HF 04-495-01

HF 04-496-01

Stifte links  
*Pins left*

Stifte rechts  
*Pins right*

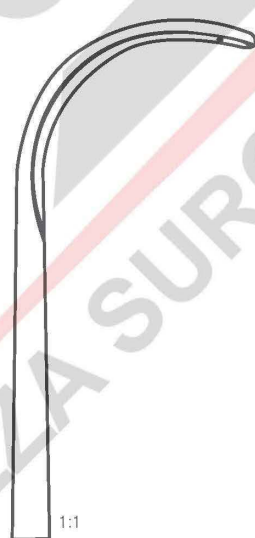


**SEMB**

240 mm – 9 ½"

HF 04-500-01

HF 04-501-01





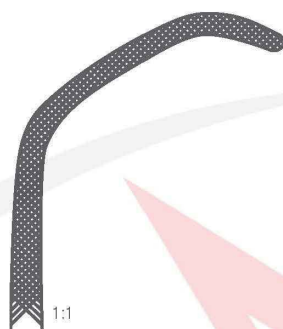
**ARTERIENKLEMMEN – HAEMOSTATIC FORCEPS**

**Bronchus- und Gefäßklemmen** | Pincés vasculaires et pour bronches  
**Bronches- and vascular clamps** | Pinzas vasculares y bronquiales  
 Pinze vascolari e per bronchi



**BABY-SATINSKY**

150 mm – 6" | **HF 04-505-01**



**SATINSKY**

	Fig. 1	Fig. 1	Fig. 2	Fig. 2
265 mm – 10 1/2"	<b>HF 04-510-01</b>	<b>HF 04-510-02</b>	<b>HF 04-511-01</b>	<b>HF 04-511-02</b>

S-förmig gebogen  
S-curved

S-förmig gebogen  
S-curved

**ARTERIENKLEMMEN – HAEMOSTATIC FORCEPS**

Tuchklemmen | Pincés à champs  
 Towel forceps | Pinzas de campo  
 Pinze fissateli



**BERNHARD**

100 mm – 4 "	HF 04-515-01
120 mm – 4 ¾ "	HF 04-515-02
140 mm – 5 ½ "	HF 04-515-03
165 mm – 6 ½ "	HF 04-515-04
180 mm – 7 "	HF 04-515-05



**BACKHAUS**

90 mm – 3 ½ "	HF 04-520-01
110 mm – 4 ¼ "	HF 04-520-02
130 mm – 5 "	HF 04-520-03
150 mm – 6 "	HF 04-520-04



**ROEDER**

130 mm – 5 "	HF 04-525-01
150 mm – 6 "	HF 04-525-02



**110 mm – 4 " HF 04-530-01**

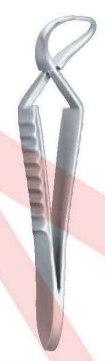
mit Schlauchhalter  
 with clip for tube

**ARTERIENKLEMMEN – HAEMOSTATIC FORCEPS**

Tuchklemmen | Pincés à champs  
 Towel forceps | Pinzas de campo  
 Pinze fissateli



**ROBIN**  
 135 mm – 5 ¼" | HF 04-535-01  
 mit Schlauchhalter bis 5 mm Ø  
 with clip for tube up to 5 mm Ø



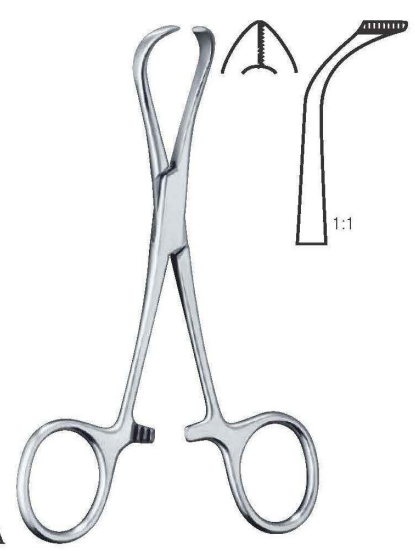
**JONES**  
 50 mm – 2" | HF 04-540-01  
 90 mm – 3 ½" | HF 04-540-02



**SCHAEDEL**  
 90 mm – 3 ½" | HF 04-545-01



**DOYEN**  
 180 mm – 7" | HF 04-550-01



**LORNA**  
 100 mm – 4" | HF 04-550-01  
 130 mm – 5" | HF 04-550-01

**ARTERIENKLEMMEN – HAEMOSTATIC FORCEPS**

Tuchklemmen | Pincés à champs  
 Towel forceps | Pinzas de campo  
 Pinze fissateli



**LANE**

130 mm – 5 "	HF 04-555-01
150 mm – 6 "	HF 04-555-02
200 mm – 8 "	HF 04-555-03



**TOHOKU - JAPAN**

100 mm – 4 "	HF 04-560-01
130 mm – 5 "	HF 04-560-02



**PEERS - BERTRAM**

145 mm – 5 ¾ "	HF 04-565-01
----------------	--------------



115 mm – 4 ½ "	HF 04-570-01
140 mm – 5 ½ "	HF 04-570-02

für Papierabdeckung  
 for paper clothes

**ARTERIENKLEMMEN – HAEMOSTATIC FORCEPS**

Schlauchklemmen | Presse-tubes  
 Tubing clamps | Pinzas para tubos  
 Pinze serratubi

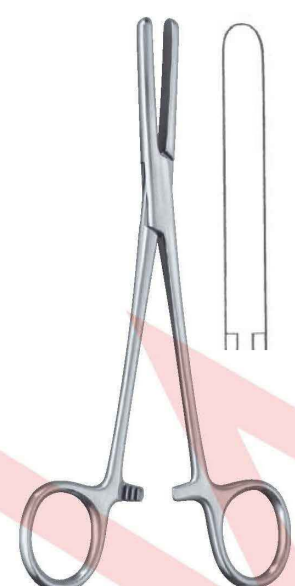


150 mm - 6 "	HF 04-575-01
160 mm - 6 1/4 "	HF 04-575-02
190 mm - 7 1/2 "	HF 04-575-03
240 mm - 9 1/2 "	HF 04-575-04

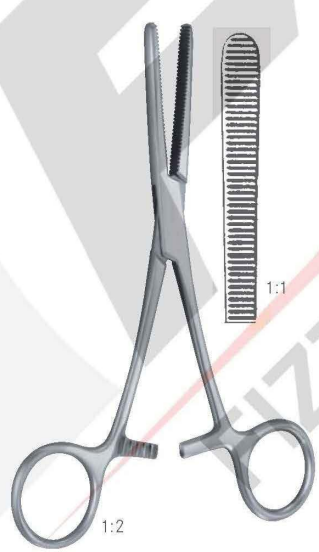


150 mm - 6 "	HF 04-580-01
160 mm - 6 1/4 "	HF 04-580-02
190 mm - 7 1/2 "	HF 04-580-03

mit Schutzbügel  
 with protection



165 mm - 6 1/2 "	HF 04-585-01
180 mm - 7 "	HF 04-585-02



KLINIKUM-  
 BERLIN

145 mm - 5 3/4 "	HF 04-590-01	HF 04-591-01
------------------	--------------	--------------

mit extra langer Sperre  
 with extra long ratchet



GUNNAR

185 mm - 7 1/4 "	HF 04-595-01
------------------	--------------



**ARTERIENKLEMMEN – HAEMOSTATIC FORCEPS**

Gefäßklemmen | Serre-fines  
 Haemostatic forceps | Serrafinas  
 Serrafine



**DIEFFENBACH**

**JOHNS HOPKINS**

35 mm – 1½"	HF 04-05-01	HF 04-06-01
50 mm – 2"	HF 04-05-02	HF 04-06-02
60 mm – 2¼"	HF 04-05-03	HF 04-06-03

50 mm – 2"	HF 04-10-01
65 mm – 2½"	HF 04-10-02
75 mm – 3"	HF 04-10-03



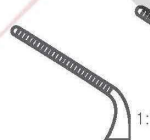
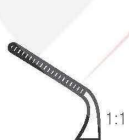
**DIETHRICH**



x=	50 mm – 2"	50 mm – 2"	50 mm – 2"	60 mm – 2¼"	50 mm – 2"
y=	8 mm	12 mm	16 mm	20 mm	8 mm
	HF 04-15-01	HF 04-15-02	HF 04-15-03	HF 04-15-04	HF 04-15-05

x= Länge  
Length

y= geriefte Maullänge  
serrated jaw part



50 mm – 2"	50 mm – 2"	60 mm – 2¼"
12 mm	16 mm	20 mm
HF 04-15-06	HF 04-15-07	HF 04-15-08